



HEIDENHAIN



Product Overview

Interface Electronics

Interface electronics

Interface electronics from HEIDENHAIN adapt the encoder signals to the interface of the subsequent electronics. They are used when the subsequent electronics cannot directly process the output signals from HEIDENHAIN encoders or when additional interpolation of the signals is necessary.

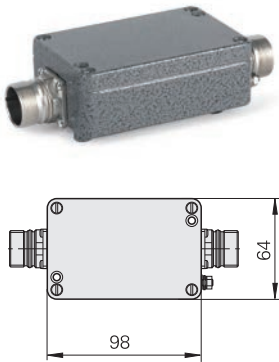
HEIDENHAIN interface electronics are available in various designs.

Box design

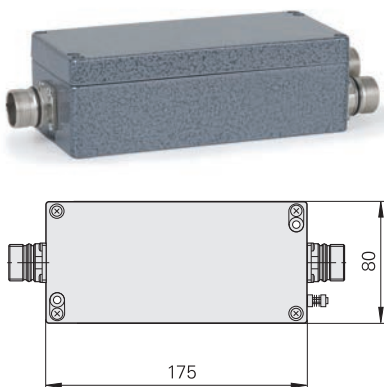
Due to their high IP65 rating, box-design interface electronics are well suited for harsh industrial environments, such as on machine tools. The inputs and outputs are equipped with robust M23 or M12 connecting elements. The sturdy cast-metal housing protects against mechanical damage and electronic interference.

The EXE/IBV 100 series differs from the EXE/IBV 600 series primarily in its more compact dimensions.

e.g., IBV 100 series



e.g., IBV 6000 series



Further electronics for signal adaptation can be found in the *Evaluation Electronics for Metrology Applications* brochure:

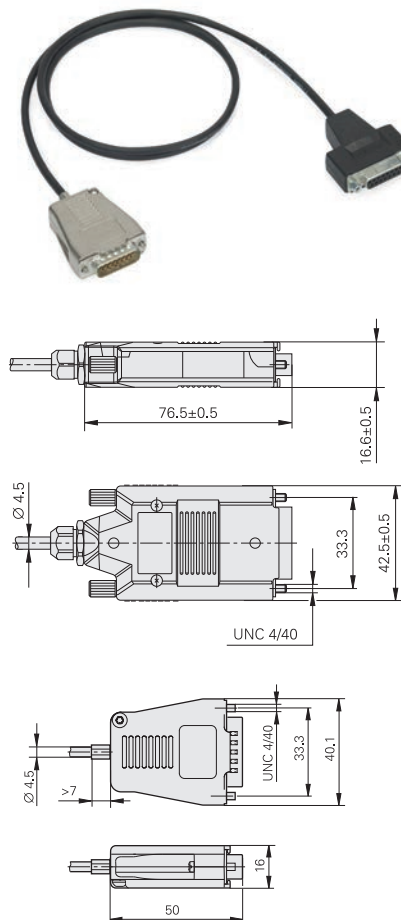
- EIB 700: with four inputs and Ethernet interface
- IK 220: PC counter card for two axes

Plug design

The plug-design interface electronics are particularly space-saving: their elongated D-sub connector housing accommodates the complete interpolation and digitalization electronics, which are thereby protected from mechanical damage (IP40 rating) and electronic interference.

Relevant accessories allow for firm fastening of the connecting elements and permit multiple connectors to be stacked on top of each other.

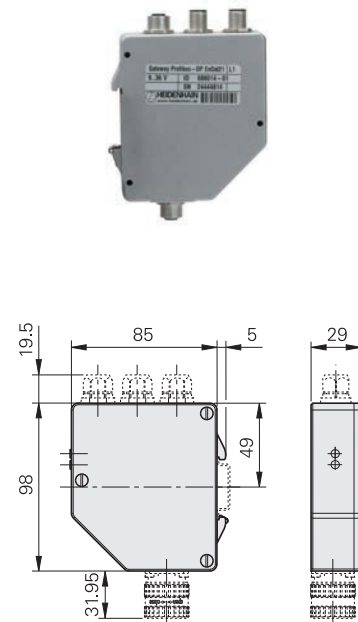
e.g., IBV 3000 series



Top-hat rail design

The interface electronics for top-hat rail mounting are suitable for operation in an electrical cabinet, featuring convenient fastening onto a standard top-hat rail.

Gateway



Input signals of the interface electronics

HEIDENHAIN interface electronics can be connected to encoders with 1 V_{PP} sinusoidal signals (voltage signals) or 11 μA_{PP} (current signals). Encoders with the EnDat or SSI serial interfaces can be connected to various interface electronics as well.

Output signals of the interface electronics

Interface electronics are available with the following interfaces to the subsequent electronics:

- TTL square-wave pulse trains
- EnDat 2.2
- DRIVE-CLiQ
- Fanuc Serial Interface
- Mitsubishi high speed interface
- Yaskawa Serial Interface
- PROFIBUS
- PROFINET IO

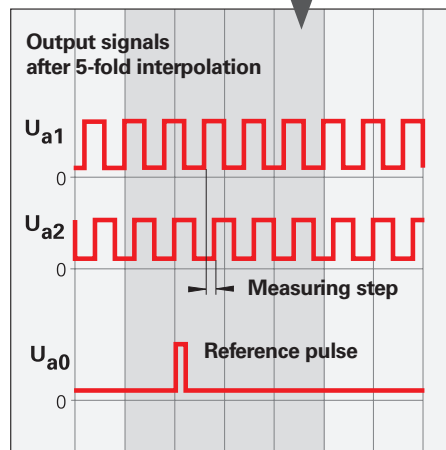
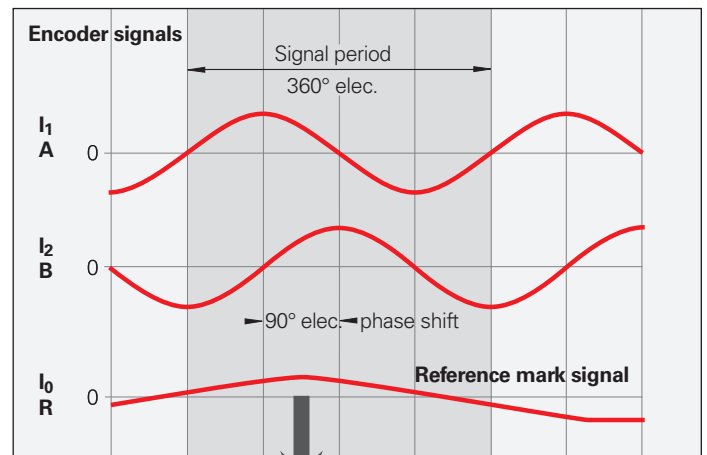
Interpolation of the sinusoidal input signals

The sinusoidal encoder signals are not merely converted but are also interpolated within the interface electronics. This permits finer measuring steps and, as a result, higher control quality and superior positioning behavior.

Position value generation

Some interface electronics feature an integrated counting function. Starting from the last set reference point, an absolute position value is generated and output to the subsequent electronics when the reference mark is traversed.

Example with 5-fold interpolation



Detailed descriptions of all available interfaces, as well as general electrical information, can be found in the *Interfaces of HEIDENHAIN Encoders* brochure.

Selection guide

Outputs		Inputs		Design – Degree of protection	Interpolation ¹⁾ or subdivision	Model
Interface	Quantity	Interface	Quantity			
□TTL	1	~ 1 V _{PP}	1	Box design – IP65	5/10-fold	IBV 101
					20/25/50/100-fold	IBV 102
					Without interpolation	IBV 600
					25/50/100/200/400-fold	IBV 660B
		Plug design – IP40	5/10-fold	IBV 3171		
			20/25/50/100-fold	IBV 3271		
		~ 11 μA _{PP}	1	Box design – IP65	5/10-fold	EXE 101
					20/25/50/100-fold	EXE 102
□TTL/ ~ 1 V _{PP} Adjustable	2	~ 1 V _{PP}	1	Box design – IP65	2-fold	IBV 6072
					5/10-fold	IBV 6172
					5/10-fold and 20/25/50/100-fold	IBV 6272
EnDat 2.2	1	~ 1 V _{PP}	1	Box design – IP65	≤ 16384-fold subdivision	EIB 192
				Plug design – IP40	≤ 16384-fold subdivision	EIB 392
			2	Box design – IP65	≤ 16384-fold subdivision	EIB 1512
DRIVE-CLiQ	1	EnDat 2.2	1	Box design – IP65	–	EIB 2391 S
				Cable design – IP65	–	EIB 3392 S
Fanuc Serial Interface	1	~ 1 V _{PP}	1	Box design – IP65	≤ 16384-fold subdivision	EIB 192F
				Plug design – IP40	≤ 16384-fold subdivision	EIB 392F
			2	Box design – IP65	≤ 16384-fold subdivision	EIB 1592F
Mitsubishi high speed interface	1	~ 1 V _{PP}	1	Box design – IP65	≤ 16384-fold subdivision	EIB 192M
				Plug design – IP40	≤ 16384-fold subdivision	EIB 392M
			2	Box design – IP65	≤ 16384-fold subdivision	EIB 1592M
Yaskawa Serial Interface	1	EnDat 2.2	1	Plug design – IP40	–	EIB 3391Y
PROFIBUS DP	1	EnDat 2.2	1	Top-hat rail design	–	PROFIBUS Gateway
PROFINET IO	1	EnDat 2.2	1	Top-hat rail design	–	PROFINET Gateway

¹⁾ Switchable

Further information

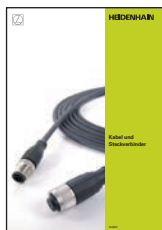
For detailed information, mounting instructions, specifications, and precise dimensions, please refer to our brochures and Product Information documents, or visit us on the Internet at www.heidenhain.de.

Detailed descriptions of all available interfaces, as well as general electrical information, can be found in the *Interfaces of HEIDENHAIN Encoders* brochure.

Further signal adaptation electronics can be found in the *Evaluation Electronics for Metrology Applications* brochure.



Brochure
**Interfaces of
HEIDENHAIN Encoders**



Brochure
Cables and Connectors



Brochure
**Evaluation Electronics for
Metrology Applications**



Product Information
IBV 3171/IBV 3271



Product Information
EIB 192



Product Information
EIB 392



Product Information
EIB 1500 Series



Product Information
EIB 2391 S



Product Information
EIB 3392 S



Product Information
EIB 3391 Y



Product Information
EXE 100 Series



Product Information
IBV 100 Series



Product Information
IBV 600 Series



Product Information
IBV 6000 Series



Product Information
PROFIBUS DP Gateway



Product Information
PROFINET IO Gateway

HEIDENHAIN

DR. JOHANNES HEIDENHAIN GmbH

Dr.-Johannes-Heidenhain-Straße 5

83301 Traunreut, Germany

☎ +49 8669 31-0

FAX +49 8669 32-5061

E-mail: info@heidenhain.de

www.heidenhain.de

Vollständige und weitere Adressen siehe www.heidenhain.de
For complete and further addresses see www.heidenhain.de

DE	HEIDENHAIN Vertrieb Deutschland 83301 Traunreut, Deutschland ☎ 08669 31-3132 FAX 08669 32-3132 E-Mail: hd@heidenhain.de	ES	FARRESA ELECTRONICA S.A. 08028 Barcelona, Spain www.farresa.es	PL	APS 02-384 Warszawa, Poland www.heidenhain.pl
	HEIDENHAIN Technisches Büro Nord 12681 Berlin, Deutschland ☎ 030 54705-240	FI	HEIDENHAIN Scandinavia AB 01740 Vantaa, Finland www.heidenhain.fi	PT	FARRESA ELECTRÓNICA, LDA. 4470 - 177 Maia, Portugal www.farresa.pt
	HEIDENHAIN Technisches Büro Mitte 07751 Jena, Deutschland ☎ 03641 4728-250	FR	HEIDENHAIN FRANCE sarl 92310 Sèvres, France www.heidenhain.fr	RO	HEIDENHAIN Reprezentantă Romania Braşov, 500407, Romania www.heidenhain.ro
	HEIDENHAIN Technisches Büro West 44379 Dortmund, Deutschland ☎ 0231 618083-0	GB	HEIDENHAIN (G.B.) Limited Burgess Hill RH15 9RD, United Kingdom www.heidenhain.co.uk	RS	Serbia → BG
	HEIDENHAIN Technisches Büro Südwest 70771 Leinfelden-Echterdingen, Deutschland ☎ 0711 993395-0	GR	MB Milionis Vassilis 17341 Athens, Greece www.heidenhain.gr	RU	OOO HEIDENHAIN 115172 Moscow, Russia www.heidenhain.ru
	HEIDENHAIN Technisches Büro Südost 83301 Traunreut, Deutschland ☎ 08669 31-1337	HR	Croatia → SL	SE	HEIDENHAIN Scandinavia AB 12739 Skärholmen, Sweden www.heidenhain.se
AR	NAKASE SRL. B1653AOX Villa Ballester, Argentina www.heidenhain.com.ar	HU	HEIDENHAIN Kereskedelmi Képviselet 1239 Budapest, Hungary www.heidenhain.hu	SG	HEIDENHAIN PACIFIC PTE LTD Singapore 408593 www.heidenhain.com.sg
AT	HEIDENHAIN Techn. Büro Österreich 83301 Traunreut, Germany www.heidenhain.de	ID	PT Servitama Era Toolsindo Jakarta 13930, Indonesia E-mail: ptset@group.gts.co.id	SK	KOPRETINA TN s.r.o. 91101 Trenčín, Slovakia www.kopretina.sk
AU	FCR MOTION TECHNOLOGY PTY LTD Laverton North Victoria 3026, Australia E-mail: sales@fcrmotion.com	IL	NEUMO VARGUS MARKETING LTD. Holon, 58859, Israel E-mail: neumo@neumo-vargus.co.il	SL	NAVO d.o.o. 2000 Maribor, Slovenia www.heidenhain.si
BE	HEIDENHAIN N.V. 1760 Roosdaal, Belgium www.heidenhain.be	IN	HEIDENHAIN Optics & Electronics India Private Limited Chetpet, Chennai 600 031, India www.heidenhain.in	TH	HEIDENHAIN (THAILAND) LTD Bangkok 10250, Thailand www.heidenhain.co.th
BG	ESD Bulgaria Ltd. Sofia 1172, Bulgaria www.esd.bg	IT	HEIDENHAIN ITALIANA S.r.l. 20128 Milano, Italy www.heidenhain.it	TR	T&M Mühendislik San. ve Tic. LTD. ŞTİ. 34775 Y. Dudullu – Ümraniye-Istanbul, Turkey www.heidenhain.com.tr
BR	HEIDENHAIN Brasil Ltda. 04763-070 – São Paulo – SP, Brazil www.heidenhain.com.br	JP	HEIDENHAIN K.K. Tokyo 102-0083, Japan www.heidenhain.co.jp	TW	HEIDENHAIN Co., Ltd. Taichung 40768, Taiwan R.O.C. www.heidenhain.com.tw
BY	GERTNER Service GmbH 220026 Minsk, Belarus www.heidenhain.by	KR	HEIDENHAIN Korea LTD.. Gasan-Dong, Seoul, Korea, 153-782 www.heidenhain.co.kr	UA	Gertner Service GmbH Büro Kiev 02094 Kiev, Ukraine www.heidenhain.ua
CA	HEIDENHAIN CORPORATION Mississauga, Ontario L5T2N2, Canada www.heidenhain.com	MX	HEIDENHAIN CORPORATION MEXICO 20290 Aguascalientes, AGS., Mexico E-mail: info@heidenhain.com	US	HEIDENHAIN CORPORATION Schaumburg, IL 60173-5337, USA www.heidenhain.com
CH	HEIDENHAIN (SCHWEIZ) AG 8603 Schwerzenbach, Switzerland www.heidenhain.ch	MY	ISOSERVE SDN. BHD. 43200 Balakong, Selangor E-mail: sales@isoserve.com.my	VN	AMS Co. Ltd HCM City, Vietnam E-mail: davidgoh@amsvn.com
CN	DR. JOHANNES HEIDENHAIN (CHINA) Co., Ltd. Beijing 101312, China www.heidenhain.com.cn	NL	HEIDENHAIN NEDERLAND B.V. 6716 BM Ede, Netherlands www.heidenhain.nl	ZA	MAFEMA SALES SERVICES C.C. Midrand 1685, South Africa www.heidenhain.co.za
CZ	HEIDENHAIN s.r.o. 102 00 Praha 10, Czech Republic www.heidenhain.cz	NO	HEIDENHAIN Scandinavia AB 7300 Orkanger, Norway www.heidenhain.no		
DK	TPTEKNIK A/S 2670 Greve, Denmark www.tp-gruppen.dk	NZ	Llama ENGINEERING Ltd 5012 Wellington, New Zealand E-mail: info@llamaengineering.co.nz		
		PH	MACHINEBANKS' CORPORATION Quezon City, Philippines 1113 E-mail: info@machinebanks.com		

